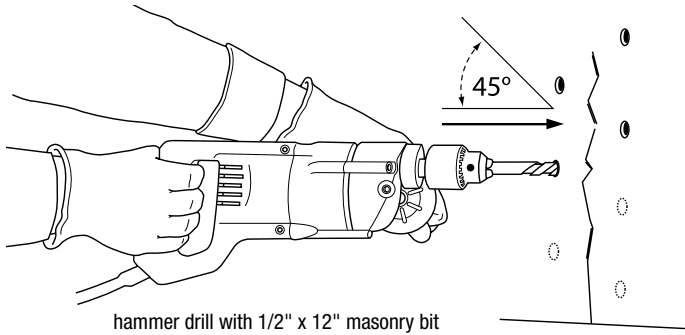


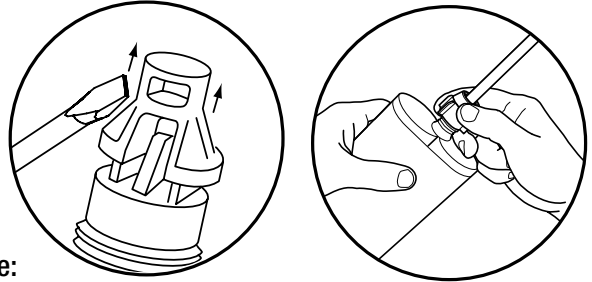
Step 1. Drilling

Drill a series of staggered holes along the full length of the leaking crack. Space the holes 4 to 6 inches apart starting at the bottom. For best results, insert the drill at a 45-degree angle toward the crack.



Step 4. Assembling the cartridge

Shake cartridge well before installing nozzle. Remove outer and inner cap on outlet port. Attach applicator nozzle with threaded retaining nut. Place the cartridge in the dispensing gun.

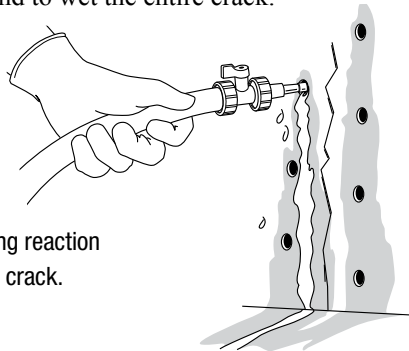


Note:

shake well before removing pry-off closure.

Step 2. Flushing with water

Attach the valve and nozzle supplied with the kit to a garden hose. (A pump sprayer may also be used to supply water.) Starting at the bottom, flush each hole while adjusting the water to a low-pressure stream using just enough water to flush the debris from each hole and to wet the entire crack.



Tip:

Water promotes a foaming reaction of Azo-Grout™ within the crack.

Step 5. Injecting Azo-Grout™

Working from the bottom to the top, insert the nozzle into the first Bak-Stop* hole and squeeze the cartridge gun three to four times. Depending on the size of the leaking crack, one cartridge should be sufficient to treat approximately 8 feet.

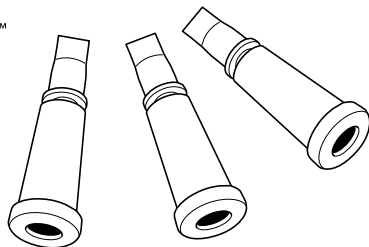
*See Step 3. Inserting Bak-Stop



Step 3. Inserting Bak-Stop™

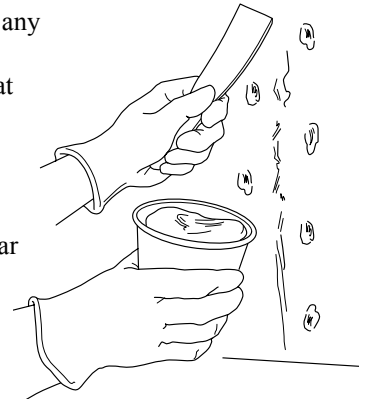
Press the Bak-Stop™ into the first hole and tap firmly using a hammer to ensure the tip is fully inserted. Continue inserting the Bak-Stop ports until all of the holes are filled.

Bak-Stop™
injection port



Step 6. Cleaning and finishing

With a flat-bladed tool, remove any excess grout on the exterior of the crack. For exposed walls that require a smooth appearance, remove Bak-Stop™ ports with pliers. Patch any holes using a putty knife, with the Azo-Grout™ Concrete Patch or similar patching material.



See Product Data Sheet and Safety Data Sheet.
For additional product information, contact supplier.